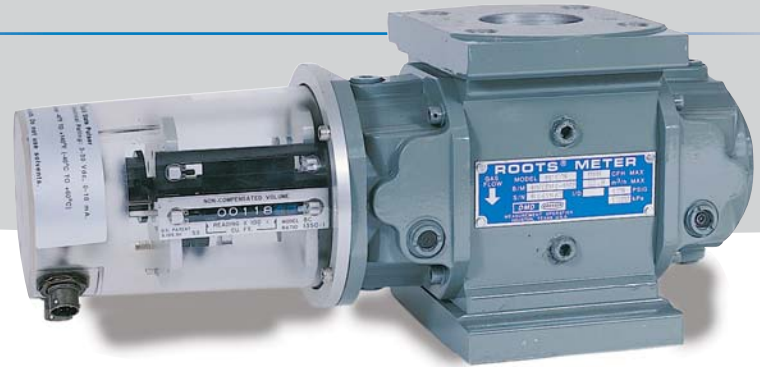




# GE Solid State Pulser



## Features

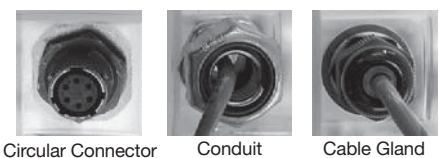
- Bounceless Switch
- Internal Mounting
- No Battery
- No Moving Parts
- Reliable Wiegand Technology
- Rugged, Weatherproof Housing
- Corrected & Uncorrected Outputs
- Universal Interface

The ROOTS® Solid State Pulser+ generates low frequency pulses which represent volumetric information necessary for remote data collection units. Solid state construction eliminates mechanical switches and ensures maximum reliability. No battery and no maintenance are required.

The dual connector option allows one connector to be used with your AMR system and a separate connector for your customer. These pulsers are available for our Series B3 (Life-Lubed™) meters and Series A1 (LM-MA) meters.

## Specifications

<b>Loop Voltage</b>	3-30 VDC
<b>Maximum Loop Current</b>	10 mA
<b>Contact Bounce</b>	0 msec
<b>Min. Pulse Width</b>	50 msec or 50% of Duty Cycle (whichever is smaller)
<b>Switch Closed</b>	R < 10 OHMS
<b>Switch Opened</b>	R > 1 MEGA OHM
<b>Temperature Range</b>	-40°F to +140°F -40°C to +60°C
<b>Humidity</b>	95% non-condensing
<b>Output*</b>	Form C
<b>Series 3 &amp; 1 TC (Temp. Comp.) Version</b>	Non-compensated and Compensated Pulse
<b>Counter (CTR) Version</b>	Non-compensated Pulse
<b>Outputs</b>	Single or Dual Connectors (Circular, Conduit, or Cable Gland)



Circular Connector

Conduit

Cable Gland

+ U.S. Patent Number; 5,530,298

\* Form A wiring acceptable. A two-wire Form B will not function properly.

Note: Solid State Pulser can be purchased in a conversion kit or factory installed on a ROOTS® Meter.

**ROOTS® Solid State Pulser**

Version	Type	# Connectors	P/N Amph. Conn. #399 Kit	P/N Conduit Conn. #399 Kit	Meter Size	Pulse Rate (English)	Pulse Rate (Metric)	Non-Comp. Pulse Wiring	Comp. Pulse Wiring
<b>Series B3 (Life-Lubed)</b>	Counter	Single	057128-060	057128-130	8C-3M	10 cf	0.1 m <sup>3</sup>	ABC	
	Counter	Single	057128-060	057128-130	5M-11M	10 cf	1.0 m <sup>3</sup>	ABC	
	Counter	Single	057128-060	057128-130	16M-38M	100 cf	1.0 m <sup>3</sup>	ABC	
	Counter	Single	057128-060	057128-130	56M	100 cf	10.0 m <sup>3</sup>	ABC	
	Counter	Dual	057128-070	057128-130	8C-3M	10 cf	0.1 m <sup>3</sup>	ABC	
	Counter	Dual	057128-070	057128-130	5M-11M	10 cf	1.0 m <sup>3</sup>	ABC	
	Counter	Dual	057128-070	057128-130	16M-38M	100 cf	1.0 m <sup>3</sup>	ABC	
	Counter	Dual	057128-070	057128-130	56M	100 cf	10.0 m <sup>3</sup>	ABC	
	TC	Single	057128-310	057128-260	8C-3M	10 cf	.1 m <sup>3</sup>	ABC	DEF
	TC	Single	057128-310	057128-260	5M-11M	10 cf	1.0 m <sup>3</sup>	ABC	DEF
	TC	Single	057128-310	057128-260	16M	100 cf	1.0 m <sup>3</sup>	ABC	DEF
	TC	Dual	057128-320	057128-260	8C-3M	10 cf	.1 m <sup>3</sup>	ABC	DEF
	TC	Dual	057128-320	057128-260	5M-11M	10 cf	1.0 m <sup>3</sup>	ABC	DEF
	TC	Dual	057128-320	057128-260	16M	100 cf	1.0 m <sup>3</sup>	ABC	DEF

Note: For Series 3 Pulser-Ready Accessory Units, a credit may be applied for deduction of magnets from SSP #399 Kits.

**Application Guide**

**HAZARDOUS LOCATION**

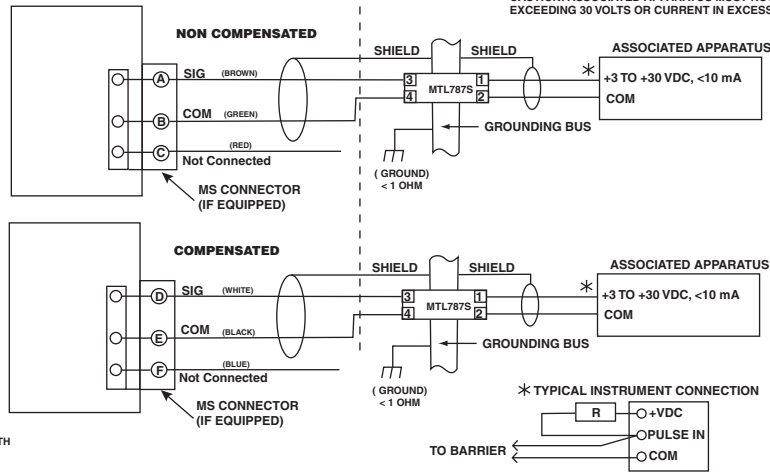
INSTALLATION MUST BE IN ACCORDANCE WITH ANSIS/A RP 12.60R NEC ANSIN/FFA 79, ARTICLE 504. FOR INSTALLATION IN CANADA, INSTALL IN ACCORDANCE WITH THE CANADIAN ELECTRICAL CODE, PART 1.

USE CSA APPROVED POSITIVE BARRIERS HAVING THE FOLLOWING PARAMETERS:  
28 Vdc (Max), 300 ohms (Min)  
EXAMPLE: MTL787S (CONNECTIONS SHOWN IN DIAGRAM)

**NON-HAZARDOUS LOCATION**

MAXIMUM SAFE AREA VOLTAGE 250V RMS

CAUTION: ASSOCIATED APPARATUS MUST NOT SUPPLY VOLTAGE EXCEEDING 30 VOLTS OR CURRENT IN EXCESS OF 10 MILLI-AMPS



NOTE: ACCESSORY MODEL SSP FOR USE WITH ROOTS® SERIES B3 GAS METERS.

INSTALL IN ACCORDANCE WITH THE BARRIER MANUFACTURER'S INSTRUCTIONS.

IF RESISTOR MUST BE INSTALLED, CHOOSE VALUE BY  $R = VDC/.01$   
EXAMPLE: IF VDC IS 5 VOLTS,  
 $R = 5/.01 = 500$  OHMS.  
DO NOT USE A VALUE SMALLER THAN THIS.

PRELIMINARY INFORMATION. APPROVALS NOT YET GRANTED

Field Wiring Diagram Solid State Pulser Customer Installation	Drawing Number A057159-000
---	-------------------------------



imagination at work